

MODEL

- FLF221PM is a non-refrigerated, fully-recessed stainless steel cuspidor for direct connection to a cold water.

STANDARD FEATURES

- Waterways Are Lead-Free In Materials & Construction
- Satin Finish Stainless Steel Surfaces
- Single Push-Button On Cabinet Front Keeps Water Flowing While Button Is Depressed
- Removable Chrome-Plated Brass Drain Strainer
- Limited 1-Year Warranty

INSTALLATION

- Prior to roughing-in, consult local, state, and federal codes.
- Shipped with complete instructions and wall mounting sleeve.

COLOR

- Standard Cabinet Finish: Stainless Steel

NET WEIGHT: Approximately 34 lbs.

Limited 1-Year Warranty (Continental limits of the United States and Canada): One year from date of installation on parts only. Detailed warranty certificate enclosed with each cuspidor; sample copy available upon request.

Components in this cuspidor are lead free as defined by the Safe Drinking Water Act Amendments of 1986, and the Lead Contamination Control Act of 1988.





Model covered by these specifications complies with all known Plumbing Codes. Certified by Canadian Standards Association.

Export Warranty: One year on component parts. Detailed warranty certificate enclosed with each cuspidor, sample copy available upon request.

Specifications are subject to change without notice.

**DRINKING FOUNTAINS
FULLY-RECESSED
CUSPIDOR**





Model FLF221PM Shown

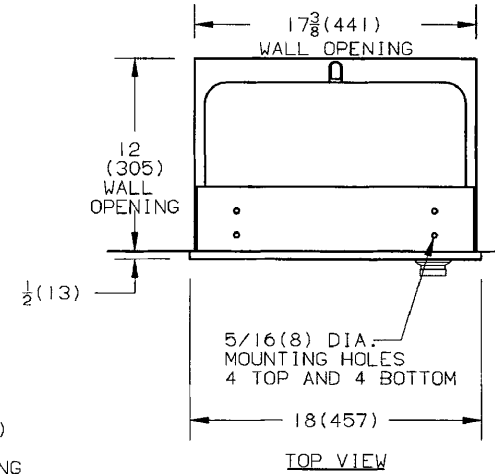
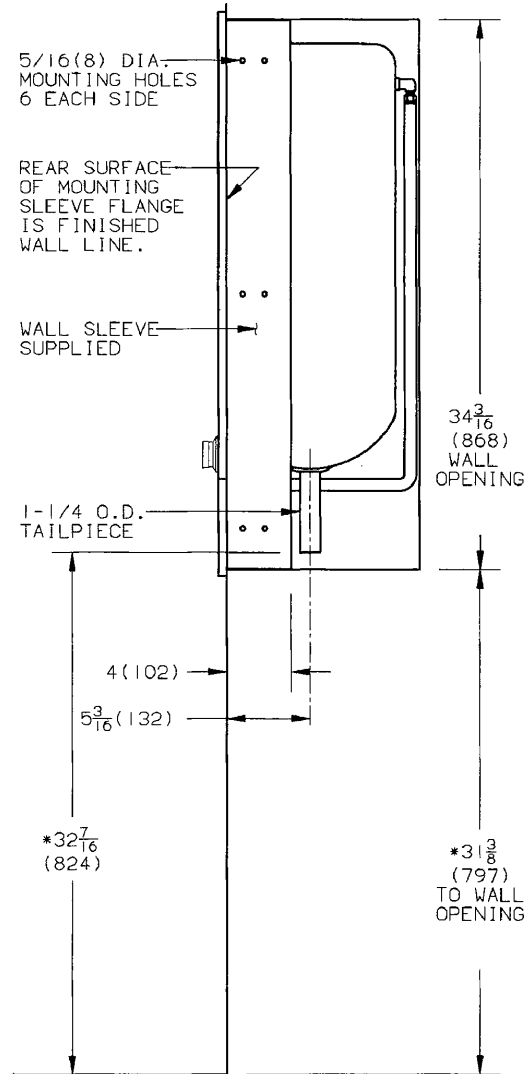
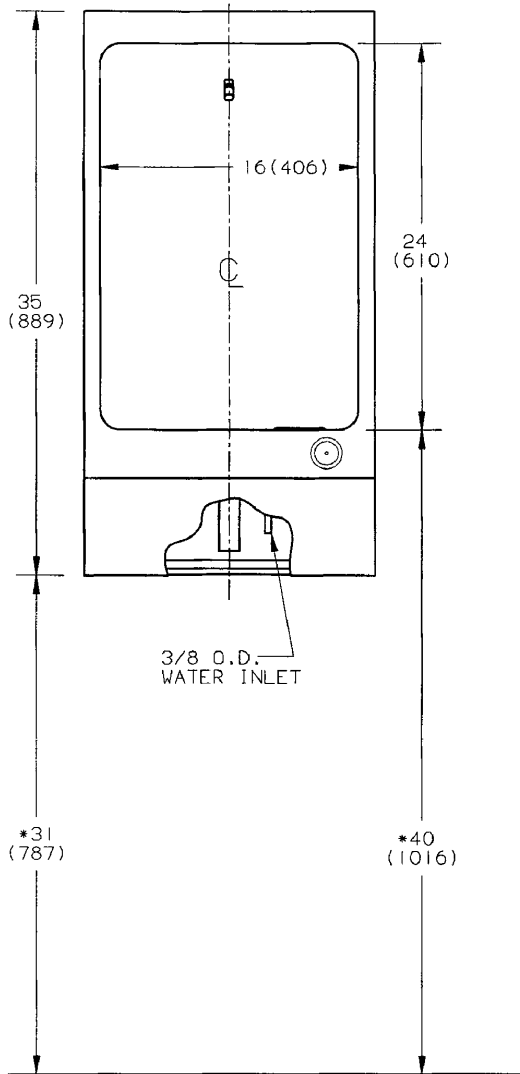
Copyright 1999 OASIS Corporation

Oasis® is a registered trademark of OASIS Corporation.

Model	Style	Physical Dimensions In Inches			Extended From Wall	Recessed Into Wall
		Height	Width	Depth		
FLF221PM	Fully Recessed	35	18	11	1/2	10-1/2

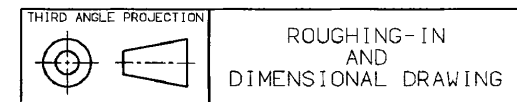
CLASSWATER INC.
 2600 John St., Unit 118
 Markham, ON L3R 3W3
 (905) 940-5800 Fax (905) 940-4642 888-CLASWTR(252-7987)
www.classwater.com

CLASSWATER INC.
 2600 John St., Unit 118
 Markham, ON L3R 3W3
 (905) 940-5800 Fax (905) 940-4642 888-CLASWTR(252-7987)
www.classwater.com



NOTES:

1. TRAP AND STOP VALVE NOT FURNISHED.
- *2. RECOMMENDED ADULT HEIGHT INSTALLATION SHOWN. ADJUST VERTICAL DIMENSIONS AS REQ'D TO COMPLY WITH FEDERAL, STATE, AND LOCAL CODES.
3. ALL DIMENSIONS ARE IN INCHES. DIMENSIONS IN PARENTHESES () ARE IN MILLIMETERS.



Oasis® is a registered trademark of OASIS Corporation
 Specifications are subject to change without notice
 Copyright 1999 OASIS Corporation